

# Xpert SL

OPHTHALMIC DIAGNOSIS



## A PERFECT FIT FOR EYECARE PROVIDERS



The Xpert SL 45 delivers ultimate value with a well-designed 5-step Apochromatic optical system and an efficient 20W tower style illumination system. LABOMED's *MaxLite™* coated optics, standard in all Xpert series microscopes, yield crisp and detailed images. *MaxLite™* coatings provide the highest throughput of light, thanks to superb anti-reflective properties. These optics are anti-fungal, anti-fog and scratch resistant in addition to producing true-to-life resolution.

The Xpert SL 40 is a nimble system that puts diagnostic essentials at the fingertips of eye care professionals. This microscope delivers all the performance features of the Xpert SL 45 in optical and mechanical performance, but with a more compact illumination system. This ensures the Xpert SL 40 provides doctors with greater space efficiency.

A sturdy stand with fluid mechanical movement provides ergonomic benefits for hours of use. Apochromatic optics provide the clearest possible view of the anterior and posterior segments of the patient's eye.



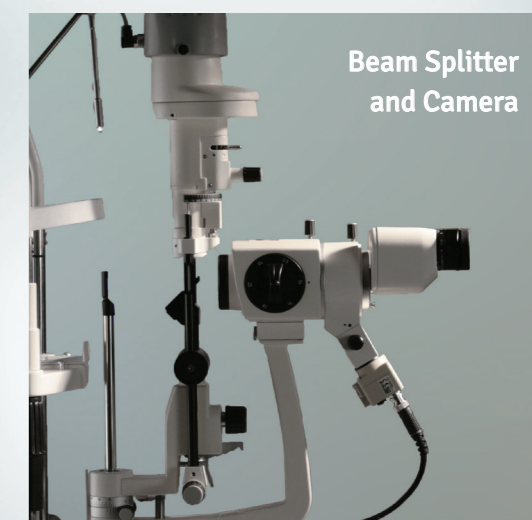
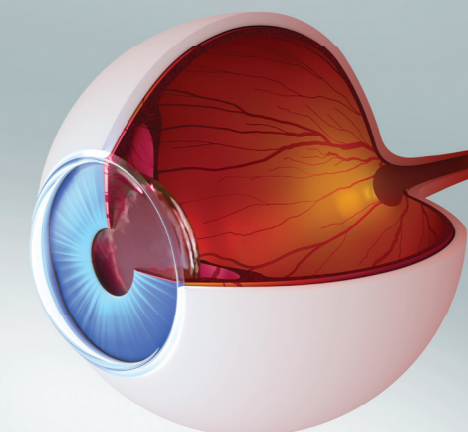
## TWO SLIT LAMP STYLES TO MEET THE NEEDS OF ANY OFFICE

The Xpert series accessories provide an array of options based on the needs of the doctor's practice. IOP readings are available with the addition of a tonometer. A host of beam splitters and adapters make it possible to integrate third party DSLRs and video cameras.

For doctors who want a complete digital solution, LABOMED's *iVu SL* solution provides a 5-megapixel camera module for still image and video capture. The *iVu SL* is designed specifically for the Xpert series to provide superior digital documentation.

All optics are lead free, and all paints used have antimicrobial additives that prevent the growth of bacteria on contact surfaces, ensuring a healthier working environment.

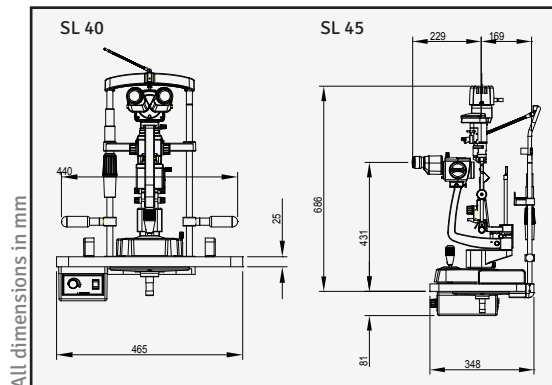
*"With the iVu SL camera, digital capture is fast and seamless. Digital documentation can now be done by any of my associates."*





# XPERT SLIT LAMP SERIES

	XPERT SL 40	XPERT SL 45
<b>Microscope</b>	Galilean	Galilean
<b>Magnification</b>	3 step: 10X, 16X, 25X Optional: 5 step	5 step: 6.5X, 10X, 16X, 25X, 40X Optional: 3 step
<b>Eyepieces</b>	WF 12.5X/18 mm, diopter adj. $\pm$ 5 mm	WF 12.5X/18 mm, diopter adj. $\pm$ 5 mm
<b>IPD range</b>	48.5 - 77 mm	48.5 - 77 mm
<b>Slit length/width</b>	0 - 13.5 mm	0 - 12 mm
<b>Slit apertures</b>	0.6, 5.8, 9, 13.5 mm and continuous 1.5 to 12.0 mm	0.3, 1, 3, 5, 9, 12 mm and continuous 1.5 to 12.0 mm
<b>Slit rotation</b>	0 - 180°	0 - 180°
<b>Slit tilt</b>	-	20°
<b>Filters</b>	Red free, Cobalt blue, Heat absorbing	Red free, Cobalt blue, Heat absorbing, Neutral density
<b>Movement ranges:</b>		
<b>Longitudinal (in/out)</b>	100 mm	100 mm
<b>Lateral (left/right)</b>	107 mm	107 mm
<b>Vertical (up/down)</b>	30 mm	30 mm
<b>Chin rest range</b>	80 mm	80 mm
<b>Illumination</b>	6V 20W Halogen	6V 20W Halogen
<b>Table base size</b>	465 mm X 316 mm	465 mm X 316 mm
<b>Weight</b>	25 kg (packed)	24 kg (packed)
<b>Optional accessories</b>	Tonometer, Beam splitter, CCD, Diffuser, Motorized table	Tonometer, Beam splitter, CCD, Diffuser, Motorized table



## DESCRIPTION

Xpert SL 40  
  
Xpert SL 45

## CONFIGURATION

3 step Slit Lamp  
5 step Slit Lamp  
3 step Slit Lamp  
5 step Slit Lamp

## CATALOG NO.

8126000-000  
8126001-000  
8127000-000  
8127001-000

